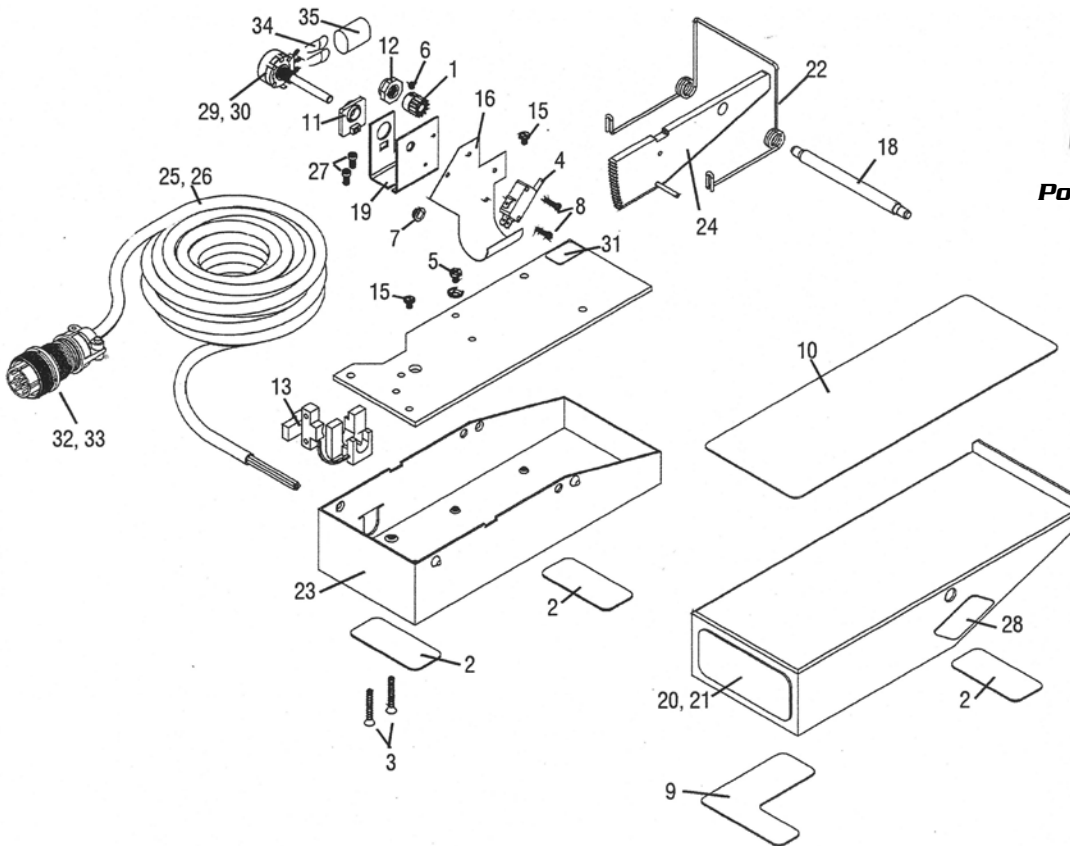


Hot Foot™ Remote Control

Powered by Arc-Zone.com®, Inc.

A-LFC-870: for Lincoln
A-MFC-14: for Miller



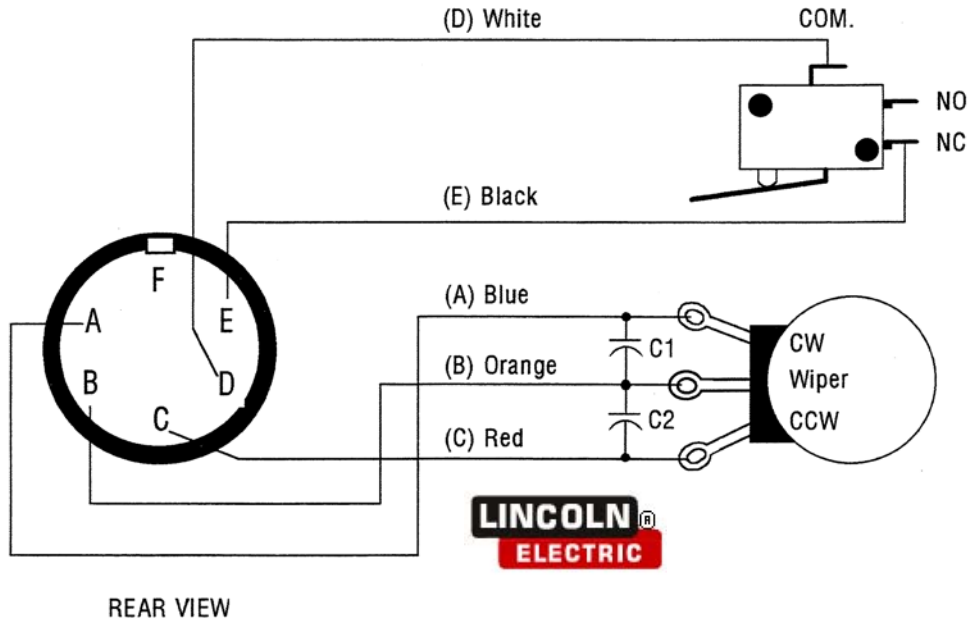
No.	Part No.	Description	No.	Part No.	Description
1	A-9340	Pinion Gear	19	A-9358	Potentiometer Bracket
2	A-9341	Rubber Base Pad	20	A-9359	Nameplate MFC-14
3	A-9342	#8-10 x 1.250 Screw	21	A-9360	Nameplate LFC-870
4	A-9343	Micro Switch	22	A-9361	Spring
5	A-9344	8-32x.281 Screw	23	A-9362	Base
6	A-9345	#6-32 X .1875 Screw	24	A-9363	Spur Gear Lever
7	A-9346	Nylon Bearing	25	A-9364	25' Cord Set with 14 Pin Plug
8	A-9347	#4-40 x .500 Screw	26	A-9365	25' Cord Set with 6 Pin Plug
9	A-9348	Rubber Bumper Pad	27	A-9366	#8-32x.375 Screw
10	A-9349	Rubber Foot Pad	28	A-9367	Warning Label
11	A-9350	Mount Bracket	29	A-9368	Potentiometer 10K, 1T, 2W
12	A-9351	Spacer Nut	30	A-9369	Potentiometer 1K, 1T, 2W
13	A-9352	Cable Clamp	31	A-9370	Warning Label
14	A-9353	Top Cover	32	A-9217	Miller 14 Pin Plug Only
15	A-9354	#8-32x.250 Screw	33	A-9219	Lincoln 6 Pin Plug Only
16	A-9355	Insulation	34	A-9371	Capacitor 4700VF, 3KV
17	A-9356	Inner Plate	35	A-9372	1-5/16x1-3/4 Heat Shrink Tubing
18	A-9357	Pivot Rod ASsembly			

ARC-ZONE.COM®, INC. • 2091 Las Palmas Drive Ste. C • Carlsbad, CA 92009-1551

Tel: 1.760.931.1500 / 1.800.944.2243 • Fax: 1.760.931.1504 • E-Mail: info@arc-zone.com



LFC-870 WIRING DIAGRAM



MFC-14 WIRING DIAGRAM

